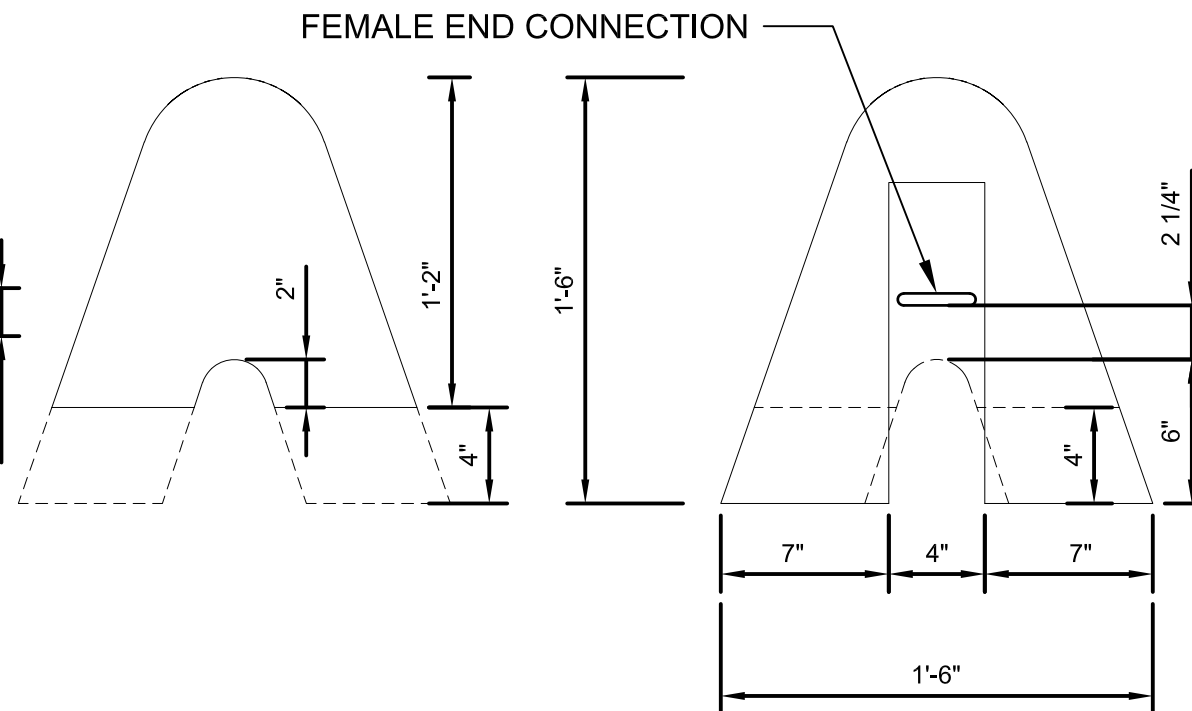


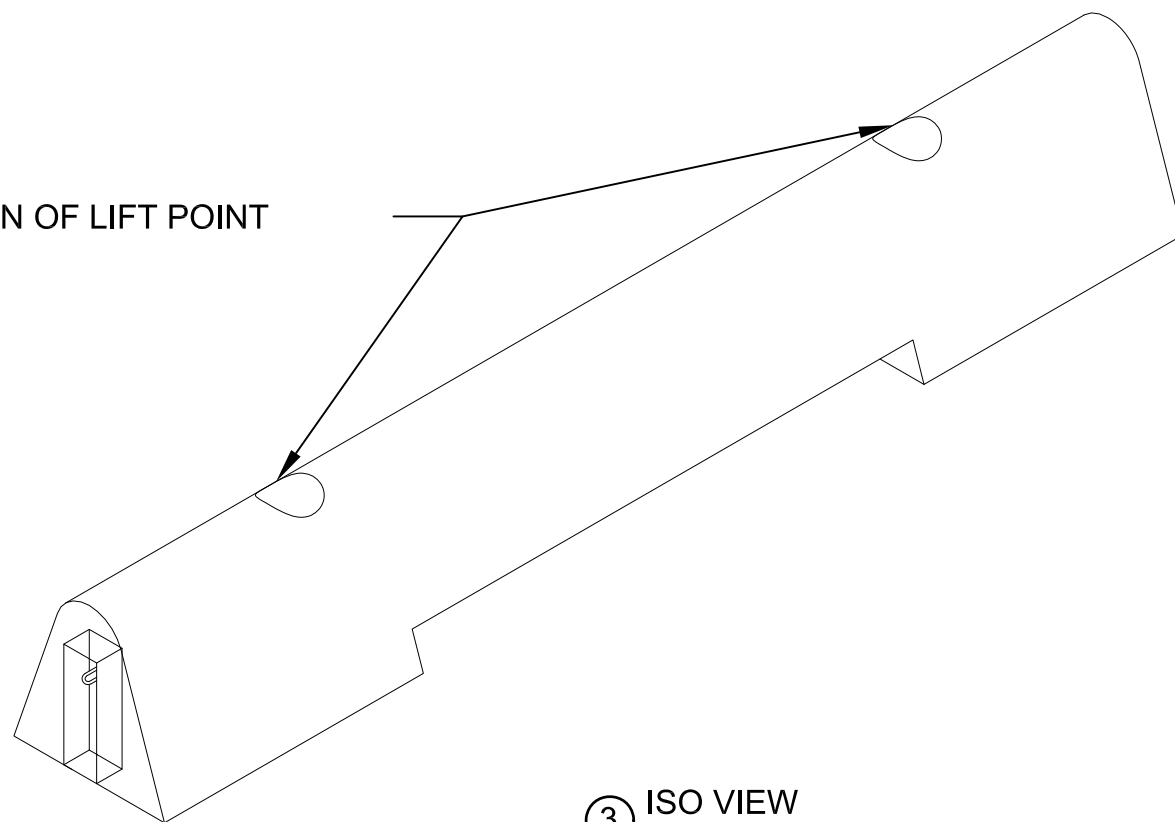
① ELEV. VIEW
3/4" = 1'-0"



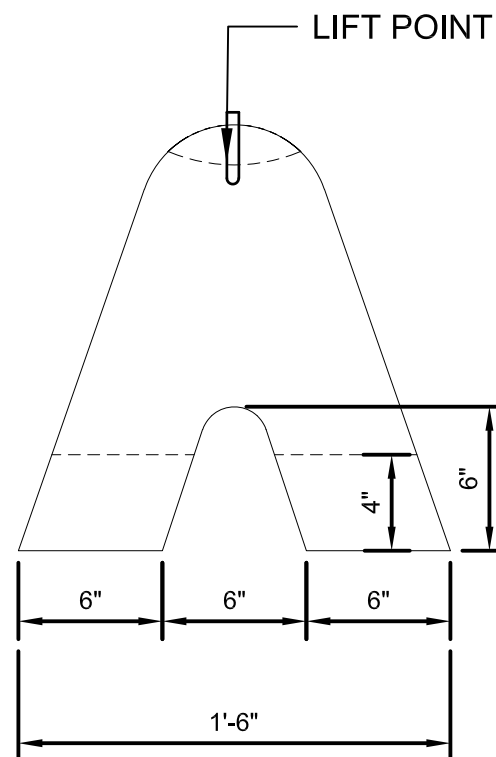
④ MIDDLE VIEW
1 1/2" = 1'-0"

② FEMALE END VIEW
1 1/2" = 1'-0"

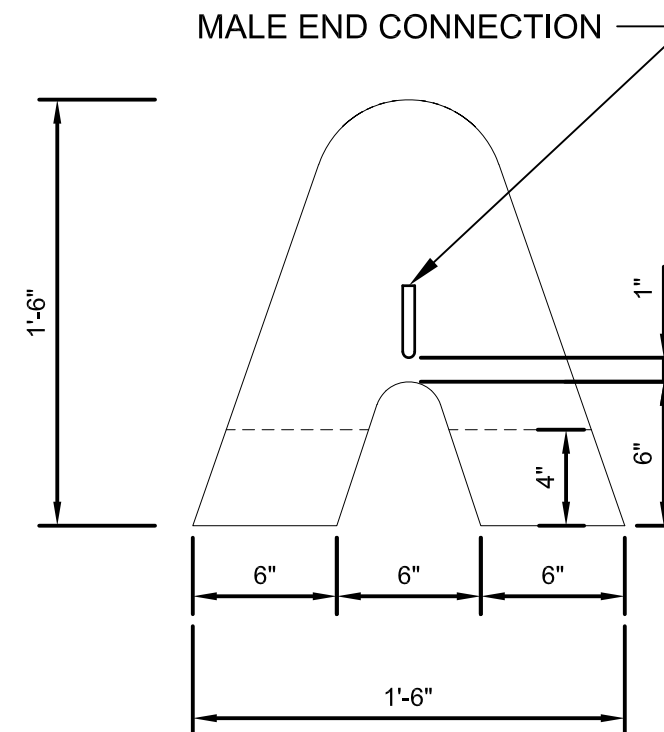
APPROXIMATE LOCATION OF LIFT POINT



③ ISO VIEW



⑥ LIFT POINT VIEW
1 1/2" = 1'-0"



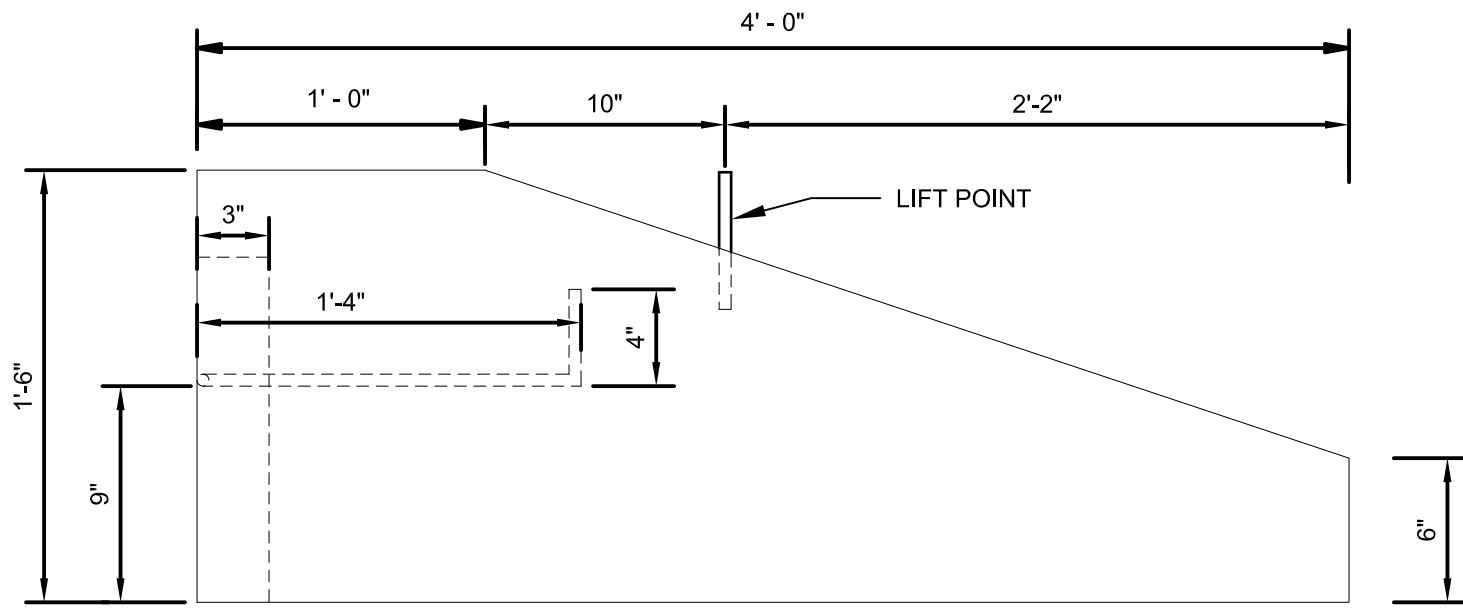
⑤ MALE END VIEW
1 1/2" = 1'-0"

City of Boulder

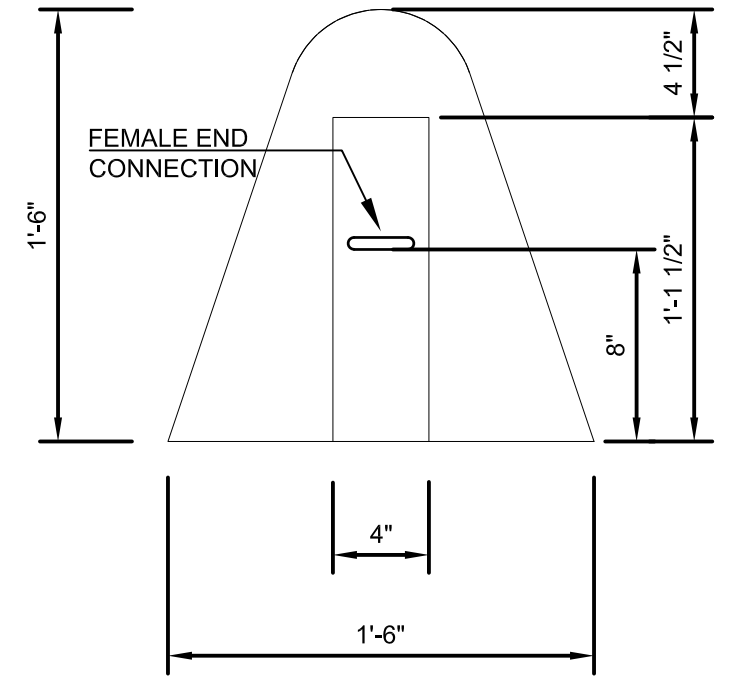
No.	Description	Date

BRIDGE RAIL TYPE 7 (SPECIAL)

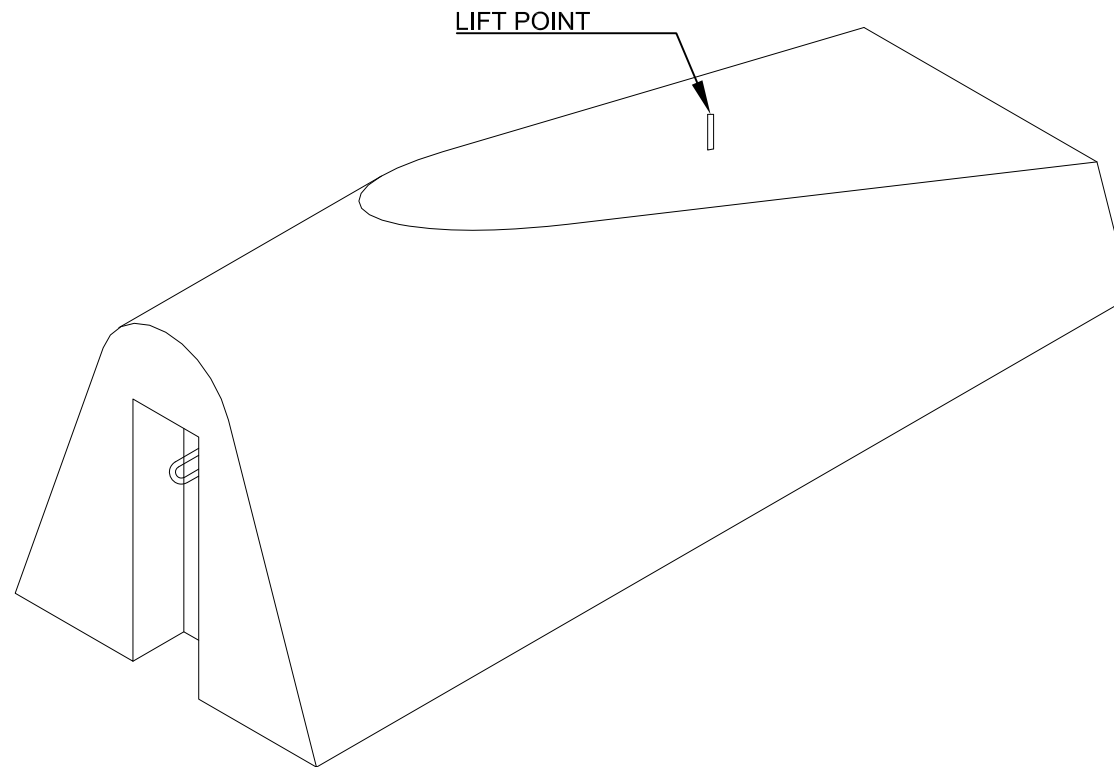
Project number	S.1
Date 03/14/2023	
Designer:	
Detailer:	
Scale As indicated	



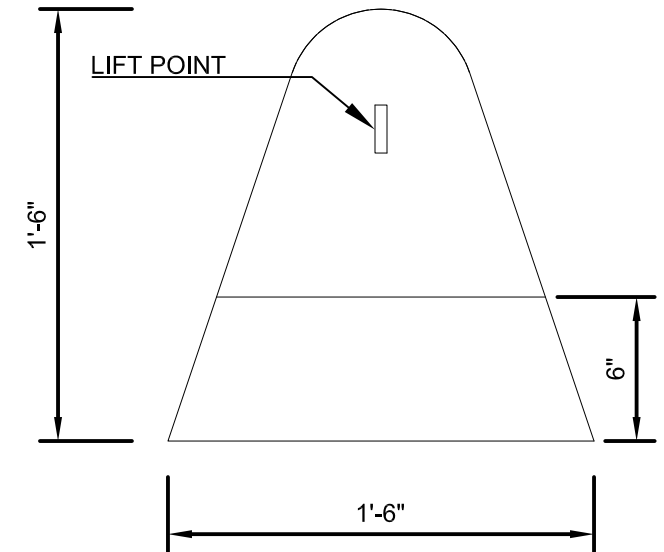
② ELEV. VIEW
1 1/2" = 1'-0"



① END VIEW
1 1/2" = 1'-0"



③ ISO VIEW



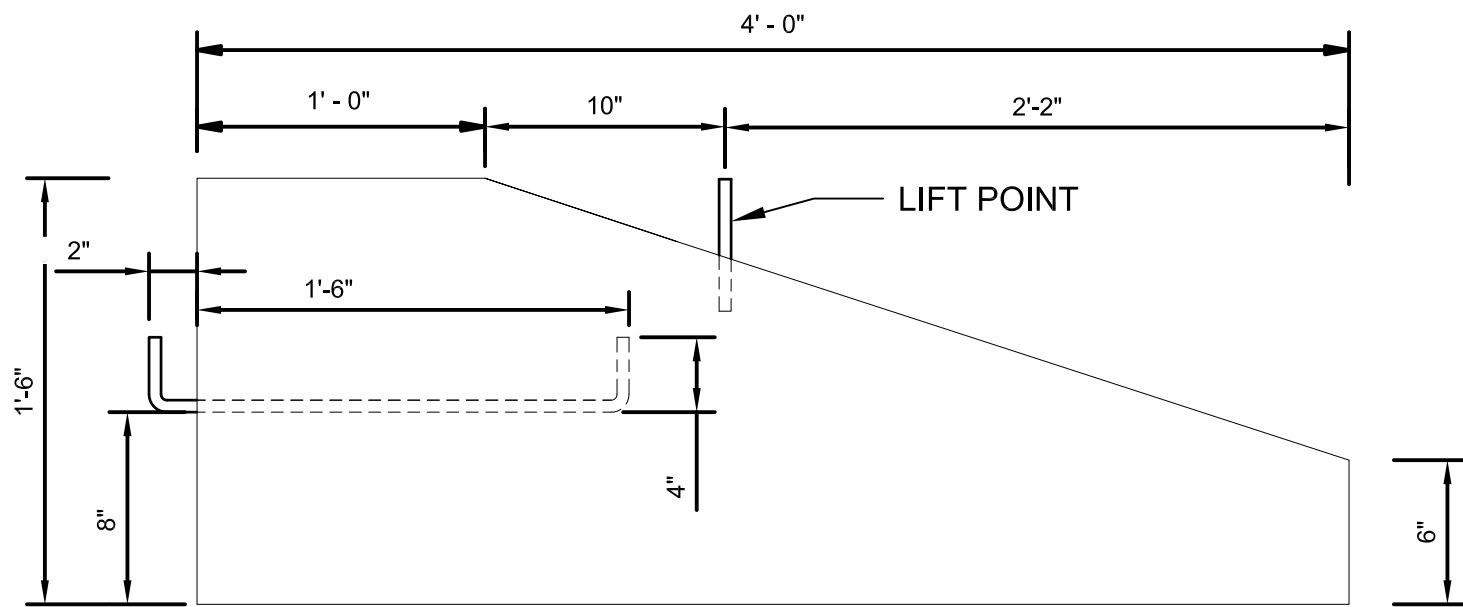
④ END VIEW
1 1/2" = 1'-0"

--	--

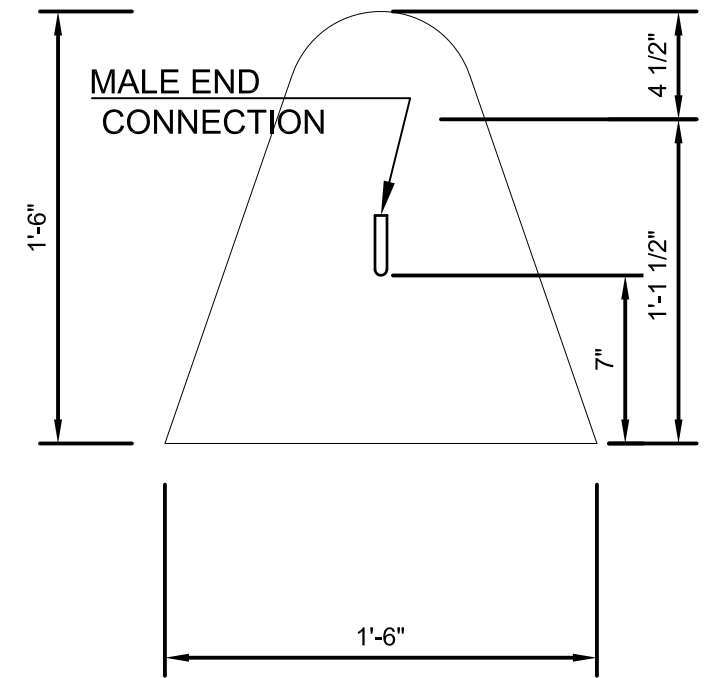
City of Boulder

No.	Description	Date

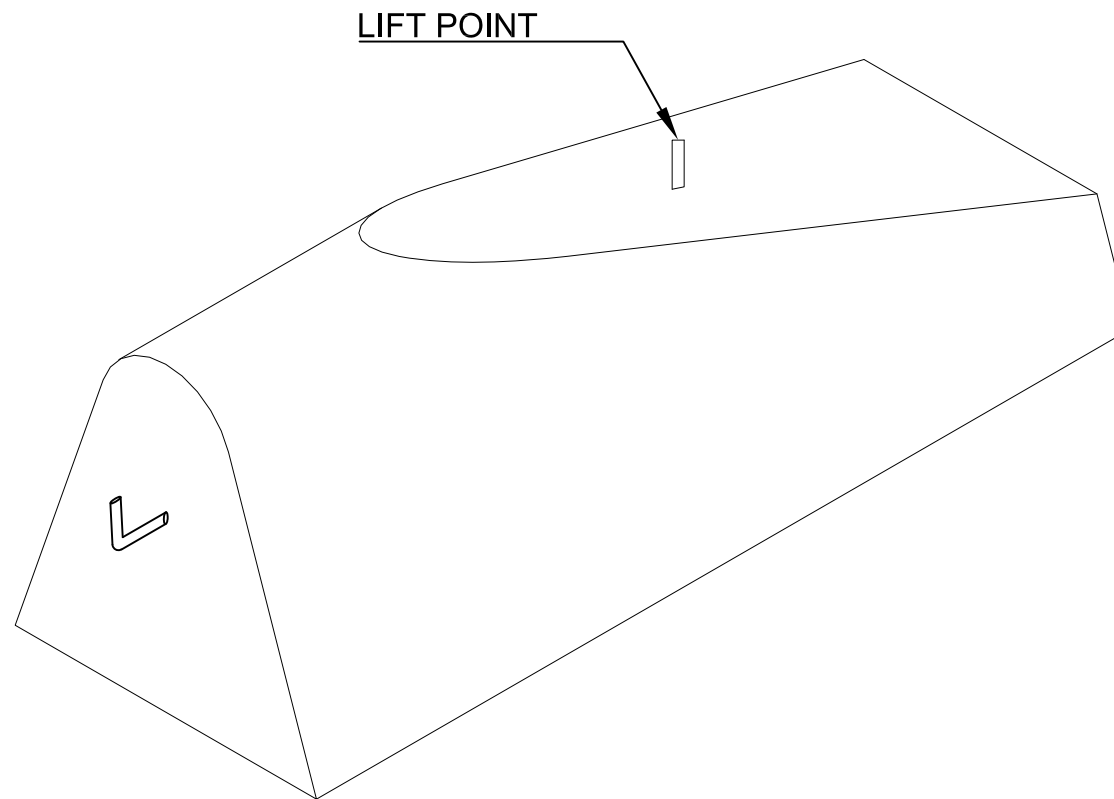
END ANCHORAGE, TYPE 1	
Project number	S.2
Date 03/14/2023	
Designer:	
Detailer:	
Scale 1 1/2" = 1'-0"	



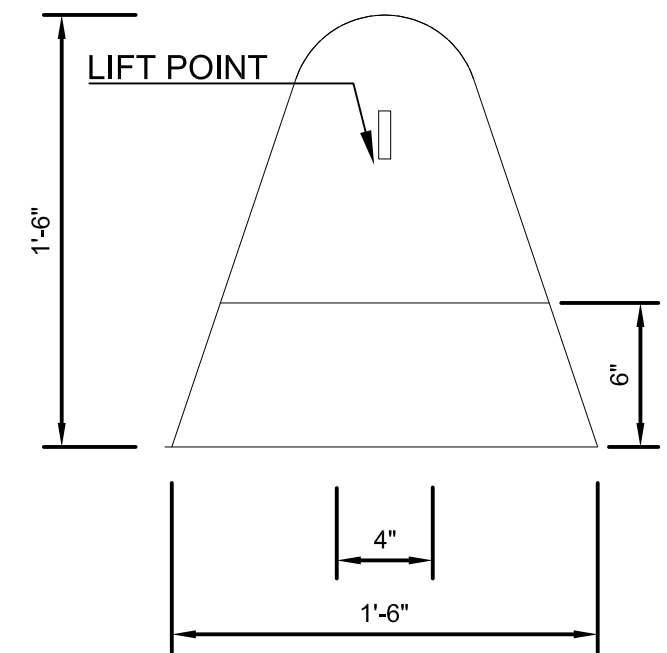
② ELEV. VIEW
1 1/2" = 1'-0"



① END VIEW
1 1/2" = 1'-0"



③ ISO VIEW



④ END VIEW
1 1/2" = 1'-0"

--	--

City of Boulder

No.	Description	Date

END ANCHORAGE, TYPE 2	
Project number	S.3
Date 03/14/2023	
Designer:	
Detailer:	
Scale 1 1/2" = 1'-0"	